

SAFETY PRECAUTIONS

Throughout this manual, you will find **CAUTIONS** and **WARNINGS**:

- **WARNING** means that if safety information is not followed someone could be **seriously** injured or killed.
- **CAUTION** means that if safety information is not followed the platform could be damaged or personal injury could result.

CAUTION

To avoid injury, some setup steps may require two workers.

SETUP

Insist that anyone who helps set up the Versalite System be familiar with this manual.

WARNING

Guardrails will collapse if excess weight or pressure is applied.

GUARDRAILS

The guardrails are indicators of the perimeter of the platform system, and are not intended as a universal restraint. Excess weight or pressure will cause them to collapse.

Never use the guardrails:

- As a crowd barrier
- As a perch
- As a tie-down

WARNING

Platforms can fall if leg brackets and stabilizers are not used as specified.

LEG BRACKETS AND STABILIZERS

For stability, install appropriate brackets at all leg locations where different-height units adjoin.

Use unit-to-unit connectors to secure same-height units. For additional safety, also attach leg stabilizers if legs are over 40".

WARNING

Platforms can fall unless stacked and secured properly on the cart.

TRANSPORT/STORAGE CARTS

On a Versalite 8-Unit Storage Cart, stack platforms on edge.

On a Versalite 10-Unit Storage Cart, stack platforms flat - never stand them on edge.

Never stack more than eight platforms on an 8-Unit Cart, or ten platforms on a 10-Unit Cart.

Always secure the units to the cart with the tie-down strap.

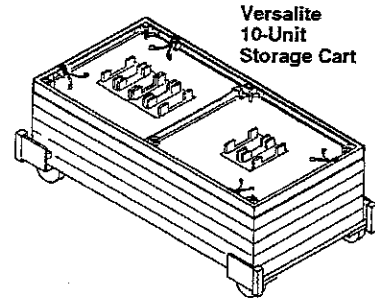
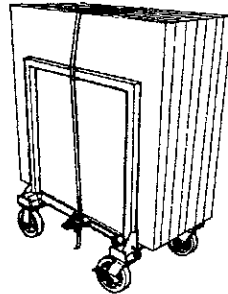
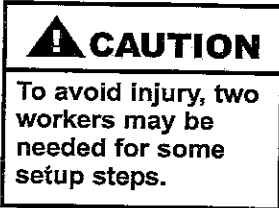
TO SET UP INDIVIDUAL PLATFORMS

Step 1

Move the platforms to the setup area (see page 19).

Step 2

Lay the first platform upside down on a clean surface.



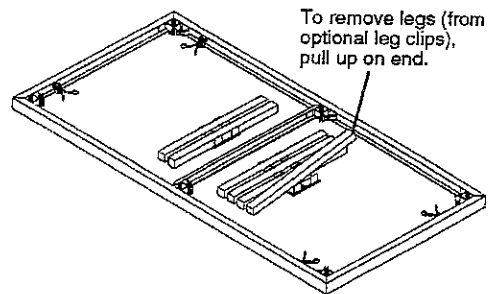
Shown with optional leg clips.

Step 3

If the optional leg clips are installed (on the underside of the platform deck), remove the legs by pulling up on one end.

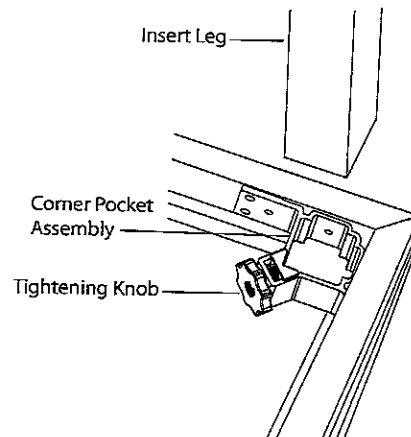
Insert legs all the way into the corner pocket assemblies. Secure each leg by turning the tightening knob clockwise.

If optional telescoping legs are used, adjust them to their approximate length (pull the pin, slide the leg extension in or out, and reinstall the pin).



Step 4

Turn the unit right-side up, then set up the remaining platforms in the same way.



If all the units you will be setting up are same-height platforms, or if you will be setting up a multilevel stage, go to page 5.

If you will be setting up the platforms as riser systems, go to page 11.

TO CONNECT SAME-HEIGHT PLATFORMS

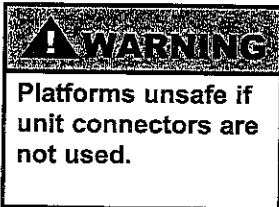
If you will be assembling the platforms into a multilevel stage system, see also "Methods of Securing Different-Height Platforms" on page 12.

Step 1

Set two platforms side-by-side.

Step 2

Operate the unit-to-unit connectors by squeezing the tabs together, pivoting the wings across both frames, and releasing the tabs so they hook on the frame.



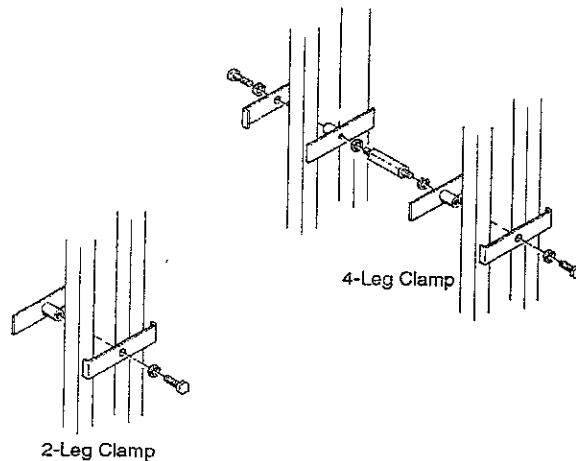
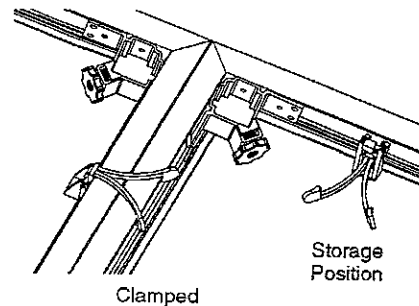
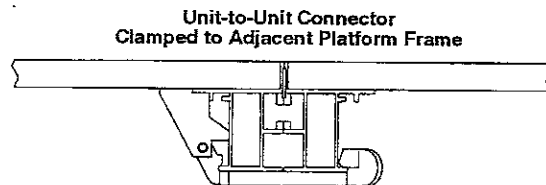
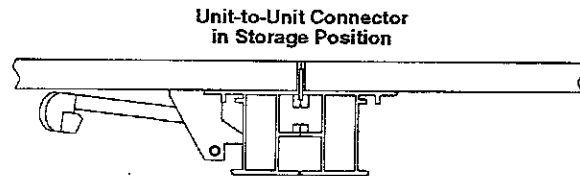
Step 3

Install and connect all additional platforms in the same way.

Step 4 (optional)

For added stability, especially if "height-movement" activities will take place on the platforms, install leg clamps to secure same-height units. These clamps should be installed toward the top of the leg.

For more information on whether you should order these leg clamps, call 1-800-733-0393 (U.S.A.) or 507-455-4100 (International).



TO DISASSEMBLE RISERS

Step 1

Remove any tricorn fillers and chair stops, by reversing their installation procedure. See pages 14 and 16. (You won't be able to remove the chair stop brackets until later.)

Step 2

Remove the guardrails by unscrewing their handles.

Step 3

IMPORTANT: Two people are recommended for the following procedure.

1. Unclamp the unit-to-unit connectors between the riser units, and return them to their storage position (see page 5).
2. Release the frame-to-leg brackets (or overlap brackets) that secure the riser units front-to-back.
3. Remove any elevation closures.
4. Remove any chair stop brackets.

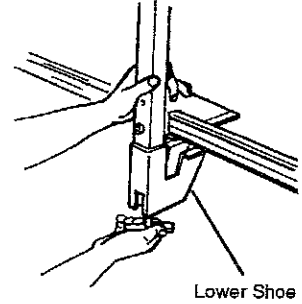
Step 4

One at a time, pull the units away from the riser set and set them on the storage cart(s). Refer also to "To Transport and Store the Platforms," page 19.

TO INSTALL GUARDRAILS ON PLATFORMS

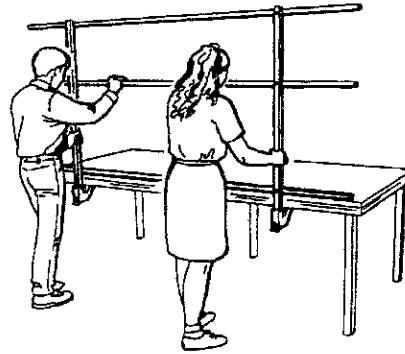
Step 1

Unscrew the handle at the bottom of each upright, until pulling the handle toward you allows the lower shoe to drop.



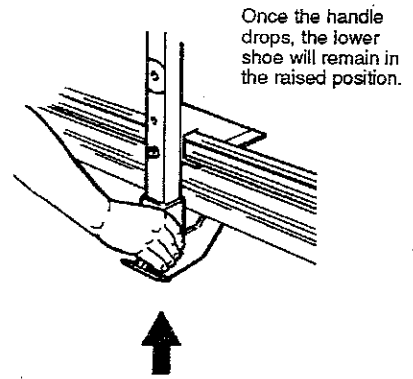
Step 2

Set the rail assembly on the platform, with the lower shoe on each upright positioned below the deck surface.



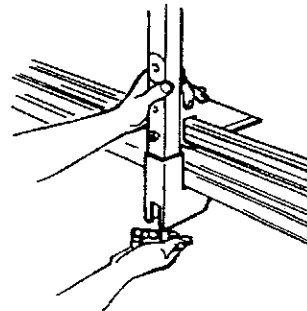
Step 3

Lift the lower shoe on each upright until the handle drops.



Step 4

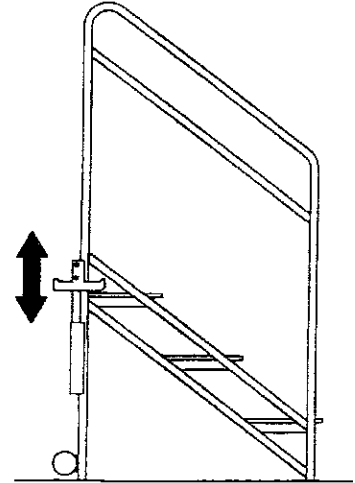
Turn the handle until the lower shoe is tight against the platform deck.



TO ATTACH A STAIRWAY TO A PLATFORM

Step 1

Adjust the two hooks on the stairway to match the platform height.



Step 2

Tip the stairway as needed to fit the hooks under the frame of the platform.

